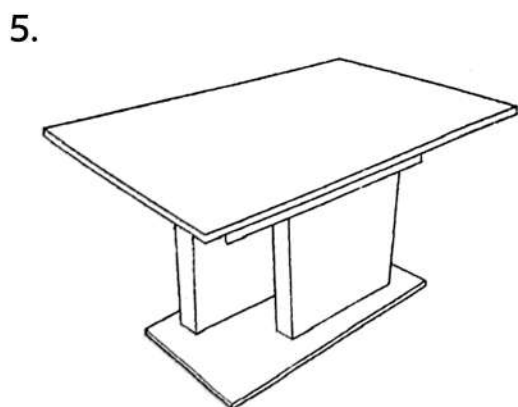
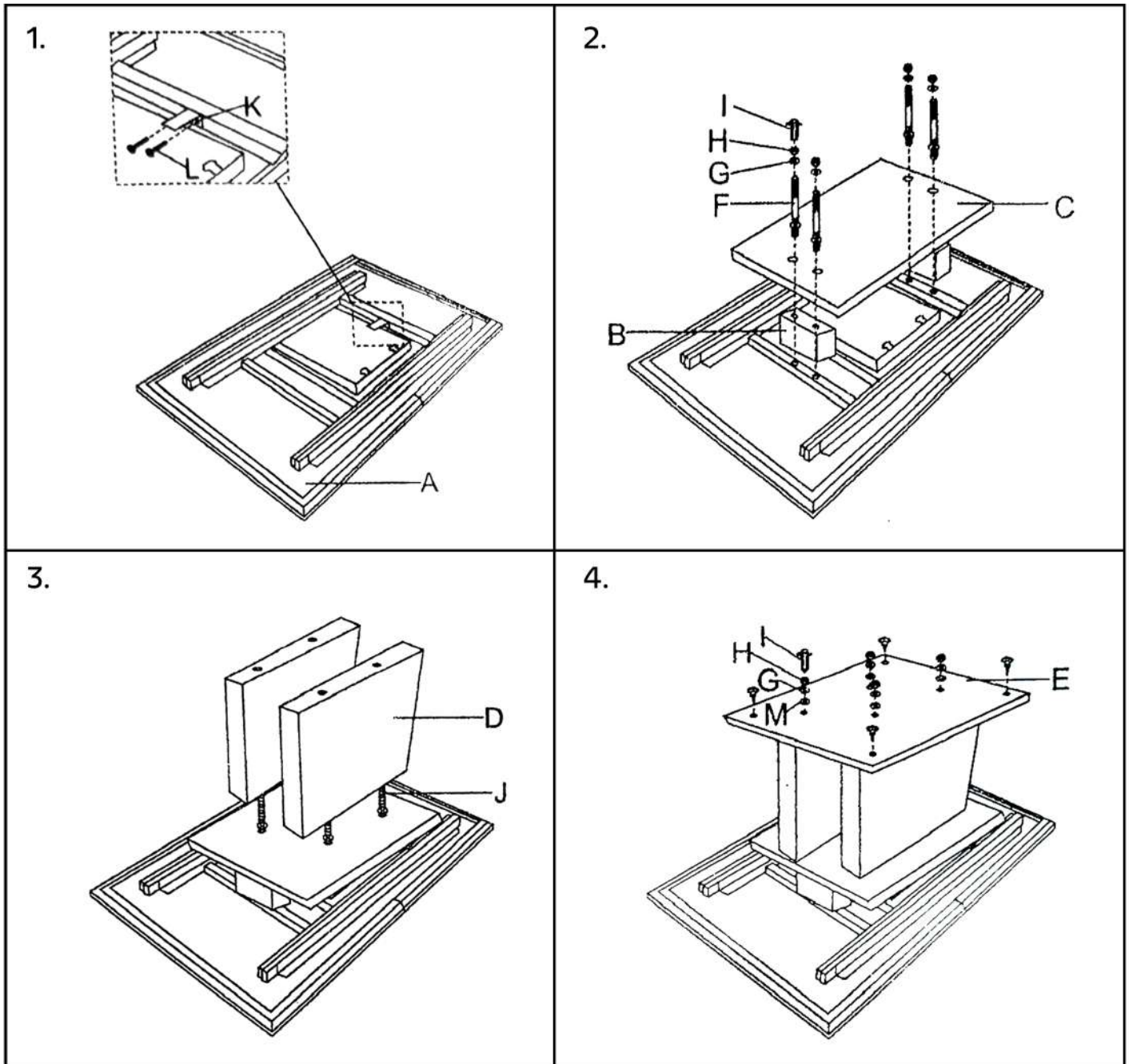
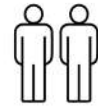


VIRAT 1047



A		1	H		8
B		2	I		1
C		1	J		4
D		2	K		1
E		1	L		2
F		4	M		4
G		8	N		4